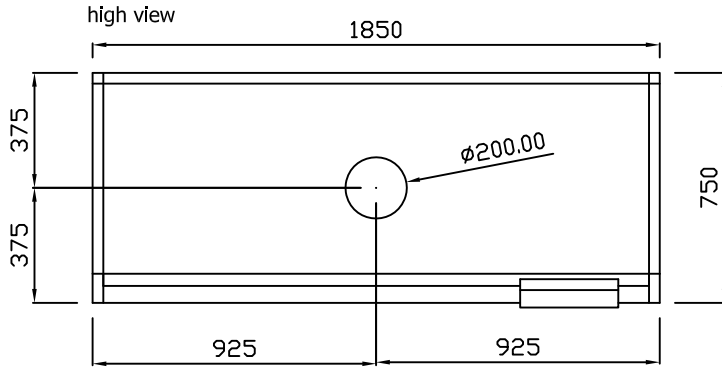


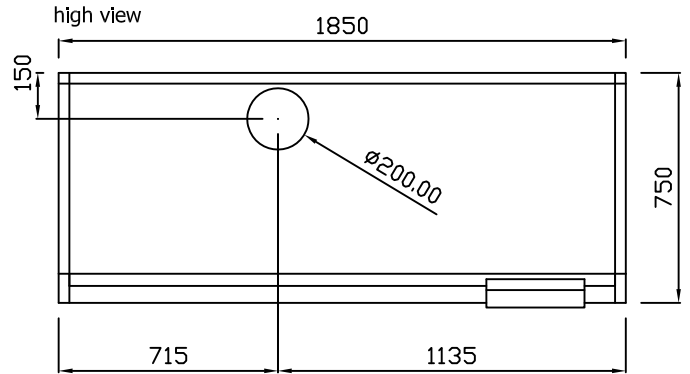
# ECOS ADVANCE 180 Working position project

## Hood model

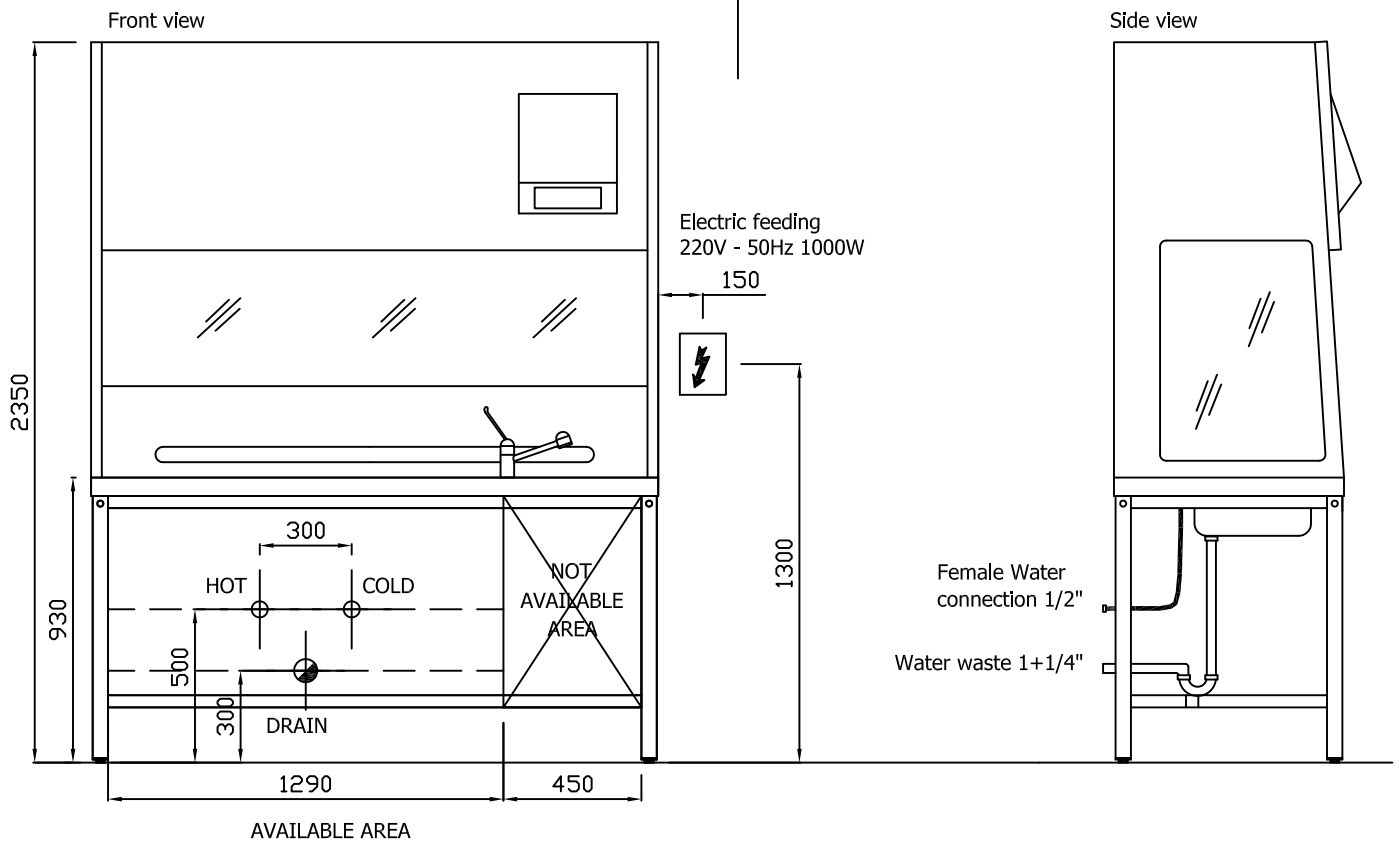


Suction box with motor located externally to the hood

## ECOS ADVANCE 180



Suction box with motor located on the hood edge model P252



The hydraulic connections suppose the following features that might be suited by the customer:

- n. 1 connection for hot water 1/2 inch male threaded
- n. 1 connection for cold water 1/2 inch male threaded
- n. 1 connection for reflux water waste, dimensions 1+1/4" female smooth

The hydraulic connections suppose the following features that might be suited by the customer:

- n. 1 electric plug protected by differential magneto-thermic, suitable for max 1000W power

The connection for suctioned fume waste suppose the following features that might be suited by the customer:

- n. 1 connection pipe, diameter 250 mm.